

► Our technology. Your success.

Pumps • Valves • Service



NORI 40 ZXL/ZXS – Globe Valve with Gland Packing



NORI 40 ZXL

Applications:

For water, steam, gas and other non-aggressive fluids in

- Industry, chemical applications and power stations
- Building services
- Shipbuilding

More information:

www.ksb.com/products



NORI 40 ZXS



NORI 40 RXS



NORI 40 FSS

Your contact:

NORI 40 ZXL/ZXS – Globe Valve with Gland Packing

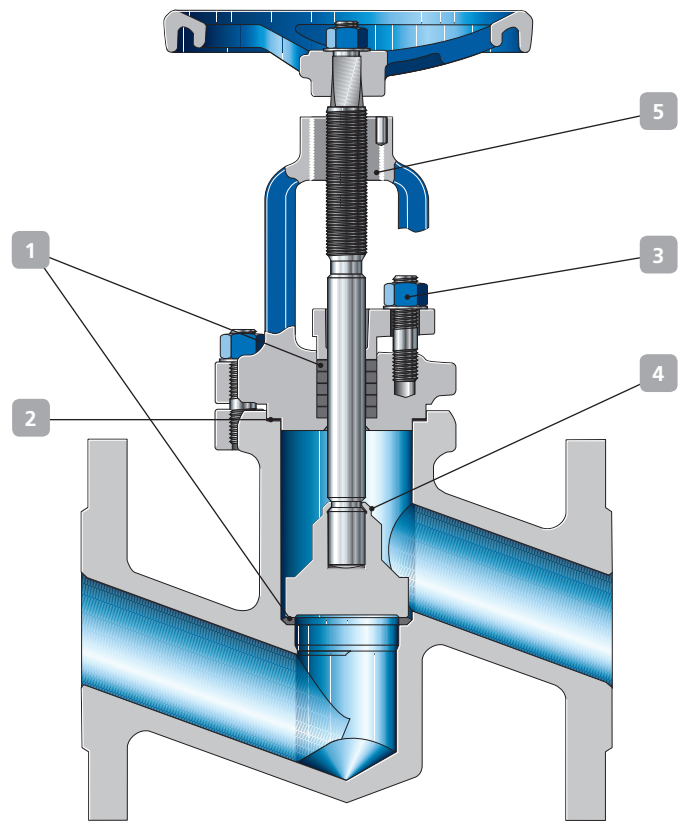
- 1 Long service life and high functional reliability**
 - Stem with burnished shank for long service life of the gland packing
 - Hard-faced valve seat made of wear and corrosion-resistant materials

- 2 Reliable sealing**
Bonnet gasket fully confined to prevent creep

- 3 Corrosion-resistant and easy to repair**
Olive-chromated nuts and bolts

- 4 Additional safety and blow-out protection**
Back seat as standard

- 5 Versatile application**
Threaded bush free from non-ferrous materials



Variants

Throttling plug
Position indicator
Balanced plug
Locking arrangement
Combined non-return/shut-off valve
Studs/hexagon nuts in A4-70 (low-temperature steel)
TA-Luft-compliant model (with or without spring loading)
PTFE gland packing (max. 250 °C)
Free from oil and grease
Other flange or weld end designs

Pressure/temperature ratings to EN 1092-1

Nominal pressure	Material	Permissible operating pressures in bar at a temperature of °C ¹⁾									
		RT ²⁾	100	150	200	250	300	350	400	450	
PN 25	P 250 GH	25.0	23.2	22.0	20.8	19.0	17.2	16.0	14.8	8.2	
PN 40	GP 240 GH+N	40.0	37.1	35.2	33.3	30.4	27.6	25.7	23.8	13.1	

¹⁾ Operating pressures to DIN 2401 are also permissible

²⁾ Room temperature (-10 °C to 50 °C)

Permissible type series

- NORI 40 FSL/FSS strainers
- NORI 40 RXL/RXS non-return valves

Materials

Flanged design:
DN 10 - 40 forged steel P 250 GH
DN 50 - 200 cast steel GP 240 GH+N

Technical data

Pressure	Up to 40 bar
Temperature	Up to 450 °C

Weld end design:
DN 10 - 50 forged steel P 250 GH
DN 65 - 200 cast steel GP 240 GH+N



KSB Aktiengesellschaft
Johann-Klein-Straße 9
67227 Frankenthal (Germany)
www.ksb.com