

ISORIA – Maintenance-free, Soft-seated, Centred-disc Butterfly Valve



amri

ISORIA 10 with ACTAIR

Applications:

Shut-off and control duties in all industrial applications.

- Energy sector
- Water supply and treatment, irrigation, drainage, desalination (reverse osmosis or multistage flash)
- Shipbuilding
- Steel industry
- Power stations and cooling circuits
- Chemical industry
- Flue gas desulphurisation
- Sugar industry
- For PN 20/25 bar in buildings

More information: www.ksb.com/products



ISORIA16 with ACTELEC



ISORIA 20 with lever



ISORIA 25 with manual actuator

ISORIA – Maintenance-free, Soft-seated, Centred-disc Butterfly Valve

1 Maximum operating reliability

- Steel bearings with reinforced PTFE lining.
- Stem in anti-blow out design.

2 Long service life, zero maintenance

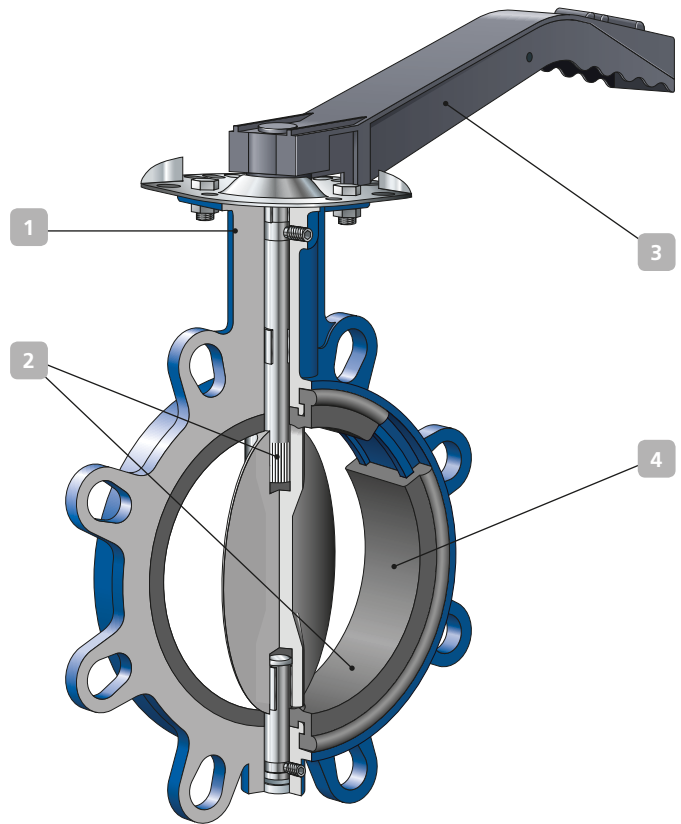
- The unique AMRING® sealing system allows fluid contact with disc and liner only. No risk of corrosion, straightforward dismantling.
- The keyed or splined positive connection between shaft and disc ensures optimum power transmission.

3 Direct mounting of pneumatic, electric and hydraulic actuators possible

4 Absolutely reliable shut-off and sealing

The unique AMRING® sealing system makes for tight valve closure and reliable sealing to atmosphere.

- The spherically machined valve disc and the matching spherically moulded liner ensure perfectly tight shut-off, even if the valve is actuated frequently.
- The specially designed liner also provides a tight seal at the flange connections, eliminating the need for an extra gasket.



Standard variants

Levers	Product line S
Manual actuators (gearboxes)	MN, MR
Pneumatic actuators	ACTAIR / DYNACTAIR
Electric actuators	ACTELEC
Hydraulic actuators	ACTO / DYNACTO / ENNACTO
Position indicator	AMTROBOX
Positioner	AMTRONIC / SMARTRONIC
Additional product line:	MAMMOUTH for DN 1050 to DN 4000

Materials

Body	Cast iron, cast steel, nodular cast iron
Stem	Crone steel
Valve disc	Nodular cast iron, stainless steel / aluminium bronze / cast iron with anticorrosive coating
Liner	EPDM, nitrile, Hypalon, Viton, epichlorhydrine, high-temperature silicone, HNBR, polybutadiene

Technical data

Nominal diameter	DN 40 – 1,000
Operating pressure	10 – 25 bar
Temperature range	-10 °C to +200 °C / +14 °F to +392 °F
Body design	Wafer-type body (T1), semi-lug (T2) or full-lug type body (T3-T4), U-section body (T5); flanges with flt faces

Flanged ends* to EN, ISO, AWWA, ASME, MSS, JIS

Note: ATEX design in compliance with the 94/9/EC Directive; safety requirements in compliance with the 97/23/EC European Pressure Equipment Directive
* Other flanges on request. The valves meet the requirements of the REACH 1907/2006 regulation.



KSB Aktiengesellschaft
Johann-Klein-Straße 9
67227 Frankenthal (Germany)
www.ksb.com