

DANAIS 150 – Offset-disc Butterfly Valve in Standard Design

Industry

Water

Waste Water

Energy

Building Services

Mining



DANAIS 150 with T4 body



DANAIS 150 with gearbox



DANAIS 150
with ACTAIR

amri

Applications:

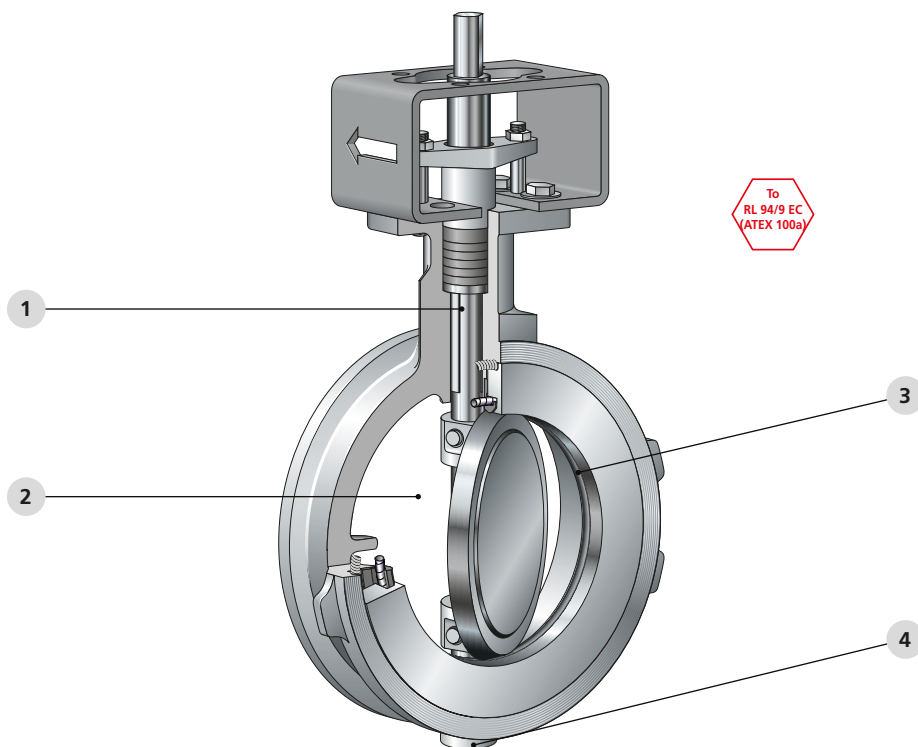
- Industry and process engineering, in particular chemicals, petrochemicals
- Sugar and paper industries
- Power stations
- Building services
- Marine engineering, shipbuilding
- Biofuels

For more information, visit:
www.ksb.com/products

Your contact:



DANAIS 150 – Offset-disc Butterfly Valve in Standard Design



1 High safety

The blowout-proof stem ensures a high level of safety.

2 Tight shut-off

The seat/disc interface ensures tight shut-off in either direction of flow, irrespective of the operating conditions.

The dynamic seal ring adapts to the valve disc, even if subject to extreme pressure and temperature variations.

3 Long service life

The seal ring is located in the body and is thus not subject to wear.

4 Zero leakage

The valve body is closed at the bottom. This ensures absolutely reliable sealing to atmosphere.

Materials		Actuator variants/accessories		Technical data	
Body	stainless steel, steel	Manual actuators (gearboxes)	MN, MR	Size	DN 50 to 600
Stem	stainless steel	Pneumat. actuators	ACTAIR/DYNACTAIR	Operating pressure max.	25 bar/363 psi
Valve disc	stainless steel	▪ Open/closed position signalling	AMTROBOX	Temperature range	-50 to +260 °C -58°F to +500°F
Seat ring	PTFE, stainless steel, PTFE, fire-safe	▪ Open/closed position signalling and control unit	AMTRONIC	Body design	wafer-type, full lug body
		▪ Positioner	SMARTRONIC		
		Electric actuators	ACTELEC		
		Hydraulic actuators	ACTO/DYNACTO		
Note					
ATEX design in compliance with the 94/9/EC Directive; safety requirements in compliance with the 97/23/EC European Pressure Equipment Directive, fire-safe design to API 607, flanged ends to EN, ASME, JIS. Other flanges on request.					